

READ ME FIRST!

Reading these brief instructions before attempting to use your projector will improve your chances of success and reduce potential frustrations!



SETTING UP YOUR PROJECTOR

- Warranty Begins from the date of purchase

INSERTING THE LENS - See diagram opposite.

Do Not insert the lens tube from *inside* the projector.

Insert the Lens (B) into the projector via the lens barrel. At the end of the lens barrel you will notice the Lens Collar (C) is split, this is to allow the collar to expand to accept the lens.

For Enlarging your Image size:

Insert the Lens into the projector, GLASS END first

For Reducing your Image size:

Insert the Lens into the projector, OPEN END first

GETTING STARTED

1. Open the door of your projector. Screw in the lamp. Remove protective film from mirror - Do Not touch the mirror surface.
2. Place your image (max 6"x6") under the spring clips.
3. Close the door, connect the projector to grounded electrical outlet and turn on. Your image will appear on your work surface.
4. Move the projector closer to, or away from, your surface until the desired SIZE of image is projected.
5. Once satisfied with the size of your image, FOCUS by moving the lens In and Out of the lens barrel.



Project horizontally onto a wall or easel mounted canvas

FOR BEST RESULTS

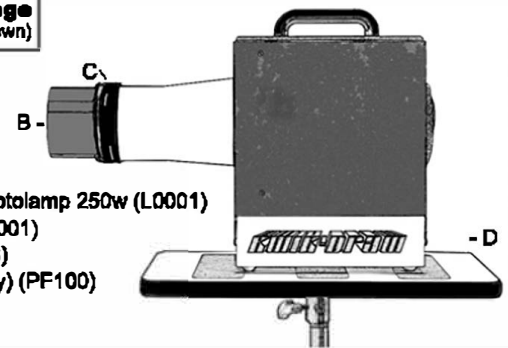
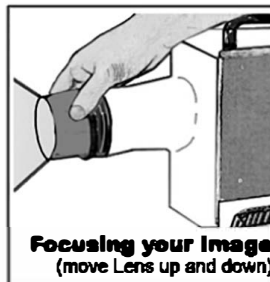
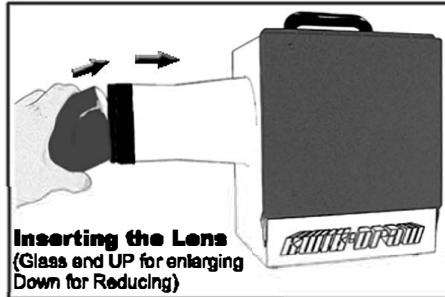
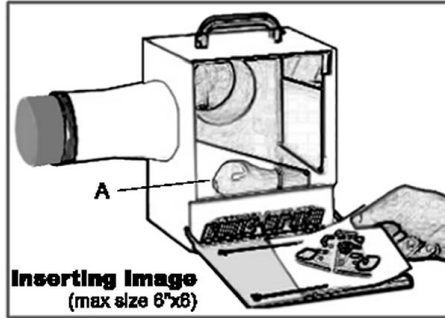
- Read these instructions above BEFORE using the projector.
- The projector will get hot when in use. If the projector is left switched on for a number of hours you risk causing damage to your photographs or original image.
- Thin original images will project better if attached to a stiffer piece of card.
- While Kopykake projectors give a bright, clear image; the darker the room the better. Avoid direct light for best results.
- If your original image is larger than 6"x6" consider the following:
 1. Projecting your image in sections
 2. Scanning it and reprinting to a maximum size of 6"x6"
 3. Photocopy it, reducing the copy to a max of 6"x6"

Specifications

Copy Size: 6"x6"
Lens: 200mm F#3
Illumination: 250w (275w 220v)
Electrical: 110/120v 60hz (220/240 50hz)

Range: Up to 12x original size horizontally
Cooling: 40CFM quiet fan
Weight: 7lbs (3.2kg)

Model KD200



WARRANTY & RETURN POLICY

ALL KOPYKAKE PRODUCTS ARE TESTED BEFORE SHIPMENT AND THIS PRODUCT IS GUARANTEED AGAINST ANY DEFECT IN MATERIAL OR WORKMANSHIP FOR A PERIOD OF:

- 1 YEAR FOR COMPRESSORS
- 2 YEAR FOR TURNABLES
- 5 YEARS FOR PROJECTORS
- AFTERUSED CARRY NO WARRANTY

ANY PART OF THIS PRODUCT TO BE DEFECTIVE UNDER NORMAL USE DURING THE WARRANTY PERIOD WILL BE REPAIRED OR REPLACED BY KOPYKAKE AT ITS OPTION. KOPYKAKE ASSUMES NO RESPONSIBILITY FOR DAMAGE DUE TO NEGLIGENCE BY THE USER.

RETURNING YOUR PRODUCT

ANY EQUIPMENT BEING RETURNED MUST HAVE A RETURN AUTHORIZATION NUMBER (RAN) OBTAINED FROM KOPYKAKE. A PRODUCT WITHOUT AN RAN WILL BE SUBJECT TO A DELAY IN PROCESSING.

1. CONTACT KOPYKAKE FOR A RETURN AUTHORIZATION NUMBER
2. PACKAGE YOUR PRODUCT WELL TO AVOID DAMAGE IN TRANSIT. ANY DAMAGE WILL BE ASSUMED TO HAVE OCCURRED PRIOR TO SHIPPING SO PLEASE BE SURE TO PROTECT THE PRODUCT WELL
3. INCLUDE PROOF OF PURCHASE AND A NOTE EXPLAINING THE REASON FOR THE RETURN
4. MARK THE RAN ON THE NOTE AND THE EXTERIOR OF THE PACKAGE SO IT CAN BE EASILY IDENTIFIED
5. RETURN THE PRODUCT VIA UPS OR ANY OTHER CARRIER COMPANY

IN THE U.S.A. - IF KOPYKAKE FINDS THAT A PRODUCT WAS DEFECTIVE, THEN EQUIPMENT REPLACED OR REPAIRED UNDER WARRANTY WILL BE RETURNED TO CUSTOMER, FREIGHT OR POSTAGE PAID BY KOPYKAKE

OUTSIDE OF THE U.S.A. - KOPYKAKE WILL REPLACE DEFECTIVE PARTS, BUT CUSTOMER WILL BE RESPONSIBLE FOR SHIPPING CHARGES

THE WARRANTY PERIOD FOR REPAIRED OR REPLACED PARTS SHALL BE FOR THE DURATION OF THE ORIGINAL WARRANTY.

WE REGRET THAT ANY RETURNS TO STOCK WILL BE SUBJECT TO A 20% RESTOCKING FEE.