

# READ ME FIRST!

Reading these brief instructions before attempting to use your projector will improve your chances of success and reduce potential frustrations!



## SETTING UP YOUR PROJECTOR

• *Warranty Begins from the date of purchase*

Attach the free end of the Gas Spring (C) to ball stud on upper part of the Suspension Arm System (B). You will need to unlock and then lock the device at the end of the Gas Spring.

**NOTE:** You will NOT be able to compress the Gas Spring until it is attached to the Suspension Arm.

Find a suitable table and attach the Suspension Arm System to it by sliding the clamp prongs (J) through the holes in the base of the Suspension Arm System. Tighten the clamp firmly.

While the Suspension Arm System is in the fully extended position, attach the Projector Head (A) to it as shown in Fig. 1 opposite. Place the Projector Head onto the Pivot Bracket (D) by locating the screw on the bottom of the Projector Head into the hole on the Pivot Bracket. Secure with the knob provided (F).

The Copy Tray (G) has a finger tightening lock screw (E) located to the rear of the underside of the Projector Head. Loosen this to slide the tray out to install the 2 bulbs (item # LA002).

Remove protective covering from mirror. Place your original image on the Copy Plate (H), by slipping it under the spring clips.

### Enlarging / Reducing your image size:

Place the Copy Plate in the Front Slot for Enlarging, the Back slot for reducing your image.

Raise or Lower the the Projector Head (A) until the SIZE of image is achieved.

### Focusing your image:

Slide the Copy Tray (G) back and forth until your image is in focus.

## GETTING STARTED

1. Slide out the Copy Tray and place your image (max 8.5"x11") under the spring clips on the Copy Plate (H).
2. Connect the projector to grounded electrical outlet and turn on. Your image will appear on your work surface.
3. Raise or lower the Projector Head until the desired SIZE of image is projected.
5. FOCUS by sliding the Copy Tray (G) In or Out.

## FOR BEST RESULTS

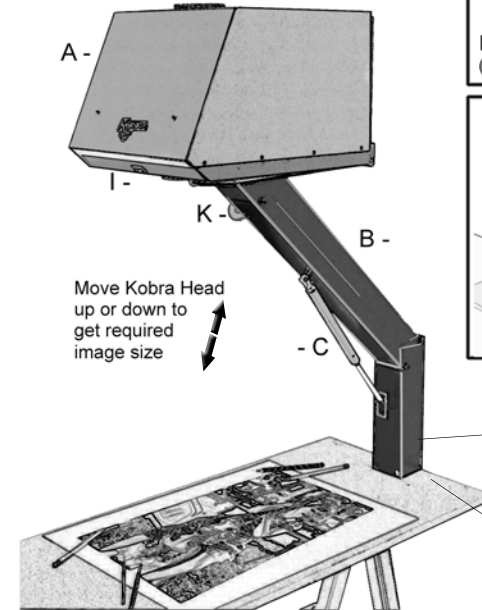
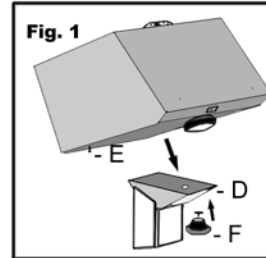
- Read these instructions above BEFORE using the projector.
- The projector will get hot when in use. If the projector is left switched on for a number of hours you risk causing damage to your photographs or original image.
- Thin original images will project better if attached to a stiffer piece of card.
- While Kopykake projectors give a bright, clear image; the darker the room the better. Avoid direct light for best results.
- If your original image is larger than 8.5"x11" consider:
  1. Projecting your image in sections
  2. Scanning it and reprinting to a maximum size of 8.5"x11"
  3. Photocopy it, reducing the copy to a max of 8.5"x11"

### Specifications

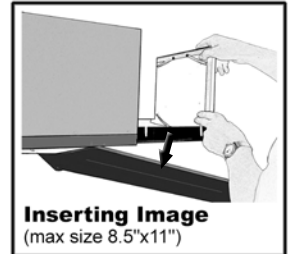
Copy Size: 8.5"x11"  
Lens: 200mm F/3  
Illumination: 600w (550w 220v)  
Electrical: 110/120v 60hz (220/240 50hz)

Range: 35% to 300% vertically  
35% to 2000% horizontally  
Cooling: 40CFM quiet fan  
Weight: 26lbs (12kg)

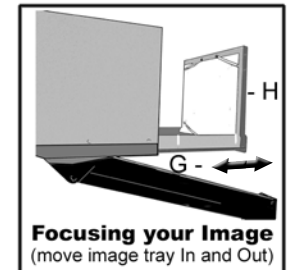
- A- Projector Head (K5000-H)
- B - Suspension Arm System - Complete (13030)
- C- Gas Spring (13074)
- D - Pivot Bracket (13030-4)
- E - Copy Tray Tightening Screw (SC035)
- F - Pivot Bracket Knob (HB008)
- G - Copy Tray (14003)
- H - Copy Plate (14004)
- I - On/Off Rocker Switch (ES002)
- J - Table Clamp (03140)
- K - Side Knob (HB008)
- 300w Lamp (L0002)



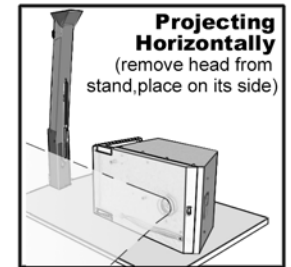
## Model K5000



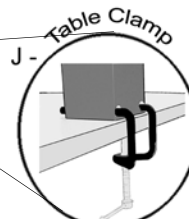
Inserting Image  
(max size 8.5"x11")



Focusing your Image  
(move image tray In and Out)



Projecting Horizontally  
(remove head from stand, place on its side)



## WARRANTY & RETURN POLICY

ALL KOPYKAKE PRODUCTS ARE TESTED BEFORE SHIPMENT AND THIS PRODUCT IS GUARANTEED AGAINST ANY DEFECT IN MATERIAL OR WORKMANSHIP FOR A PERIOD OF:

- 1 YEAR FOR COMPRESSORS
- 2 YEAR FOR TURNTABLES
- 5 YEARS FOR PROJECTORS
- AIRBRUSHES CARRY NO WARRANTY

ANY PART OF THIS PRODUCT TO BE DEFECTIVE UNDER NORMAL USE DURING THE WARRANTY PERIOD WILL BE REPAIRED OR REPLACED BY KOPYKAKE AT ITS OPTION. KOPYKAKE ASSUMES NO RESPONSIBILITY FOR DAMAGED DUE TO NEGLIGENCE BY THE USER.

### RETURNING YOUR PRODUCT

ANY EQUIPMENT BEING RETURNED MUST HAVE A RETURN AUTHORIZATION NUMBER (RA#) OBTAINED FROM KOPYKAKE. A PRODUCT WITHOUT AN RA# WILL BE SUBJECT TO A DELAY IN PROCESSING.

1. CONTACT KOPYKAKE FOR A RETURN AUTHORIZATION NUMBER
2. PACKAGE YOUR PRODUCT WELL TO AVOID DAMAGE IN TRANSIT. ANY DAMAGE WILL BE ASSUMED TO HAVE OCCURRED PRIOR TO SHIPPING SO PLEASE BE SURE TO PROTECT THE PRODUCT WELL
3. INCLUDE PROOF OF PURCHASE AND A NOTE EXPLAINING THE REASON FOR THE RETURN
4. MARK THE RA# ON THE NOTE AND THE EXTERIOR OF THE PACKAGE SO IT CAN BE EASILY IDENTIFIED
5. RETURN THE PRODUCT VIA UPS OR ANY OTHER CARRIER COMPANY

IN THE U.S.A. - IF KOPYKAKE FINDS THAT A PRODUCT WAS DEFECTIVE, THEN EQUIPMENT REPLACED OR REPAIRED UNDER WARRANTY WILL RETURNED TO CUSTOMER. FREIGHT OR POSTAGE PAID BY KOPYKAKE

OUTSIDE OF THE U.S.A. - KOPYKAKE WILL REPLACE DEFECTIVE PARTS, BUT CUSTOMER WILL BE RESPONSIBLE FOR SHIPPING CHARGES

THE WARRANTY PERIOD FOR REPAIRED OR REPLACED PARTS SHALL BE FOR THE DURATION OF THE ORIGINAL WARRANTY.

WE REGRET THAT ANY RETURNS TO STOCK WILL BE SUBJECT TO A 20% RESTOCKING FEE.



3699 West 240th St. Torrance California 90505 USA  
Tel: 310-373-8906 Fax: 310-375-5275  
sales@kopykake.com www.kopykake.com