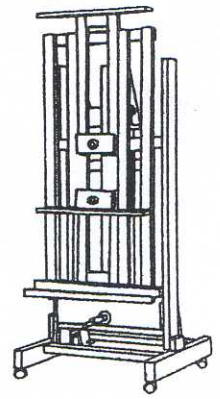
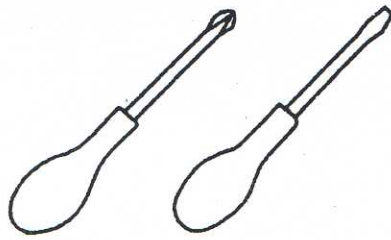
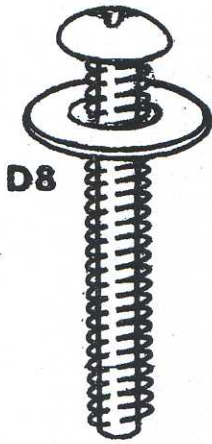


Professional^{THREE}



8X



D8

C850

4X



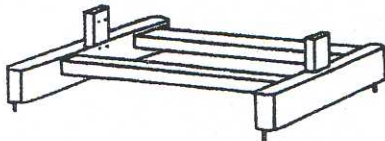
D6

P630

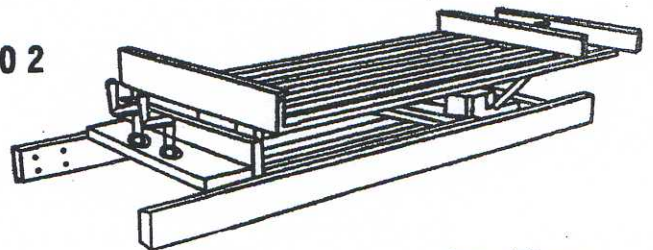
L01

L01S

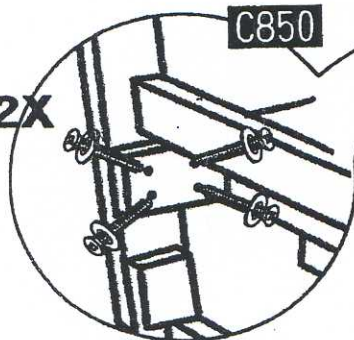
01



02



2X



C850

