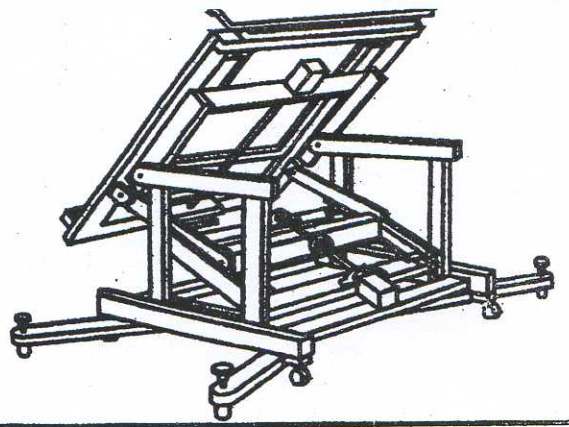
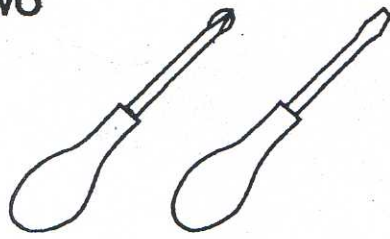


MasterTwo

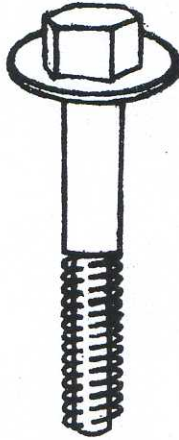


28X



C850

6X



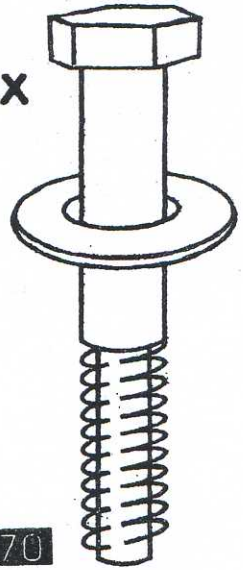
Y850

10X



C635

8X

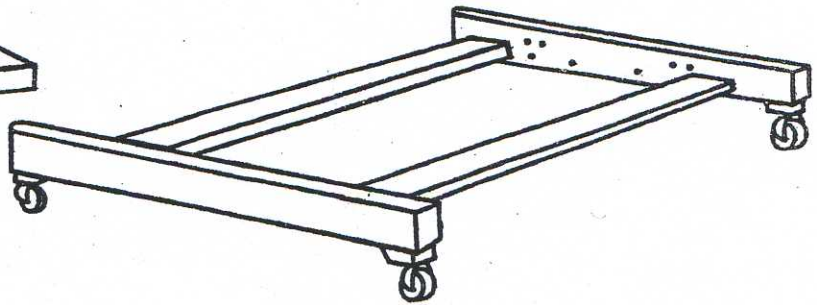


J1070

01

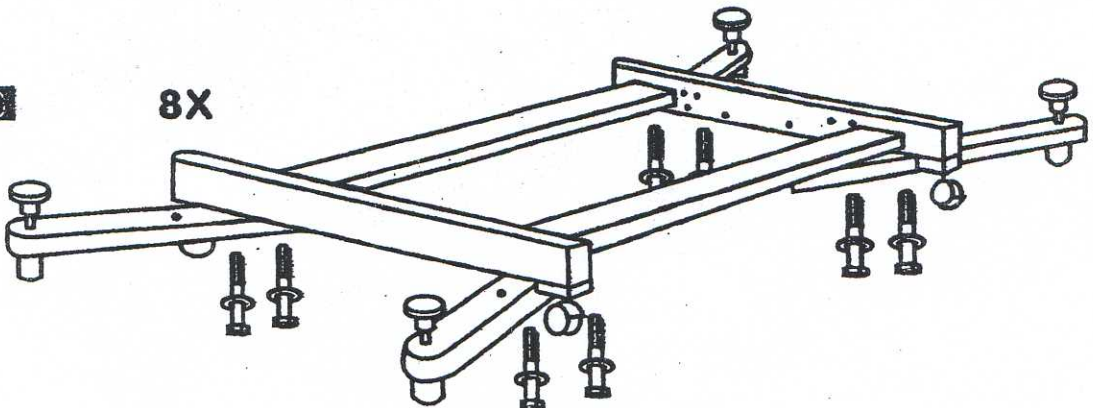


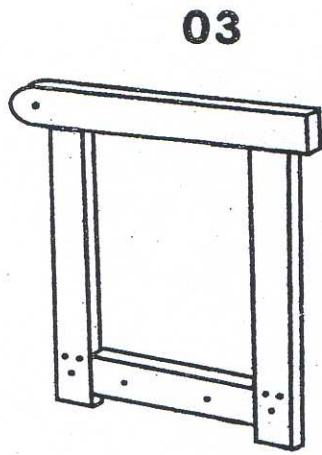
02



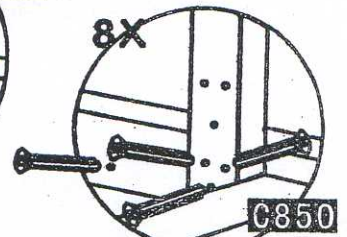
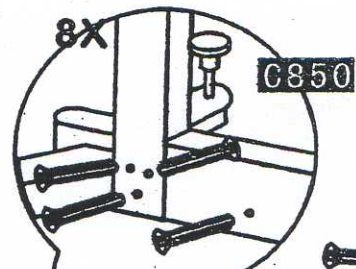
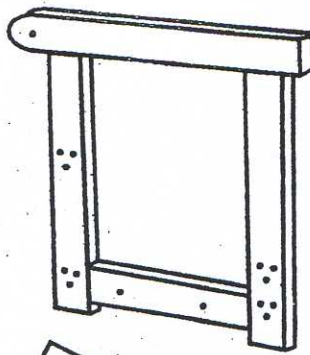
J1070

8X

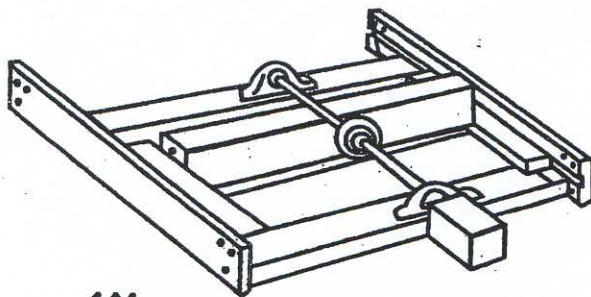
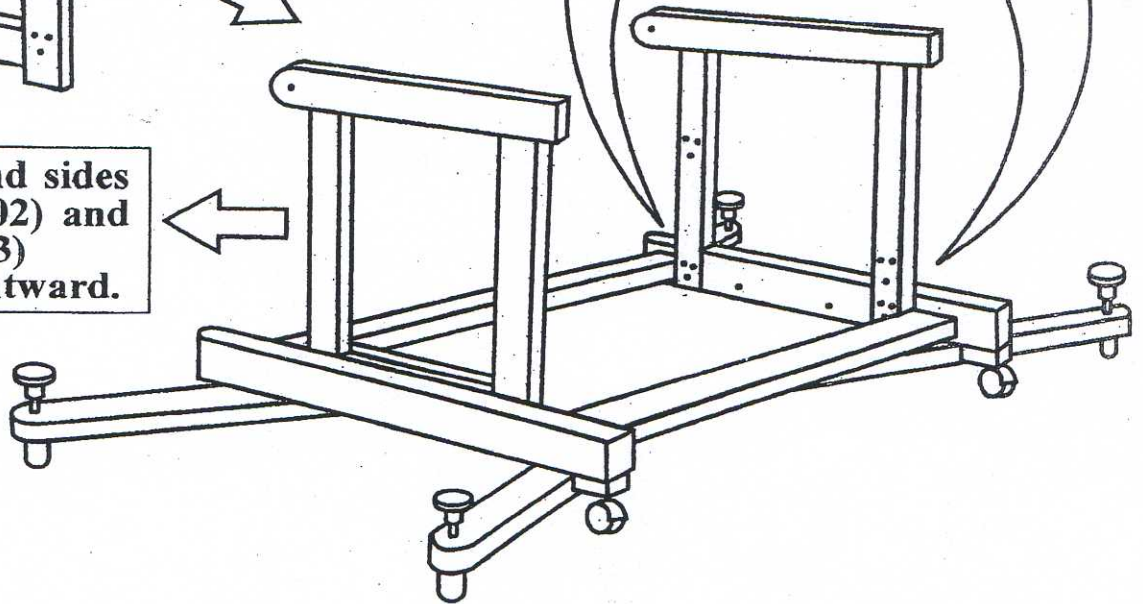




03



Both the round sides of the Base (02) and Knighthead(03) should be frontward.



04

